



Ground Support Specialist llc

GS Series International Aircraft Deicers



The GS series deicers designed for efficiency and durability with fluid capacities of 3,027 L (800 gal) or 4,541 L (1,200 gal) are ideally suited for small sized deicing operations.

With a working height of up to 10.5 m (34.5 ft) the GS series deicers are capable of safely operating on all regional and narrow-bodied commercial aircraft.

The custom purpose built chassis with a single engine, mounted on a swing out power module and hydrostatic drive provides low operating costs, excellent maneuverability and easy access to major components.



Simply designed, with ease of operation in mind, the GS series deicers offer a roomy operator cab with large windows providing optimum visibility. The articulating boom is designed with a 5:1 factor of safety and proportional controls that provide excellent inching capabilities.



Ground Support Specialist llc

International GS Series Aircraft Deicer

Vehicle Specifications

Fluid Tank (De-Icing)
 Fluid Tank (Anti-Icing)
 De-Icing Fluid Pump
 Anti-Icing Fluid Pump
 Fluid Delivery (De-Icing)
 Fluid Delivery (Anti-Icing)
 Heater: GSS Mini-Max
 Pre-Heat to De-ice Time

GS800
 2271 L (600 Gal)
 757 L (200 Gal)
 Myers 12C-20
 Hardi Rotary Pump 363
 76-114 L (20-30 GPM) / 150 psi
 76 L (20 GPM) / 50 PSI
 12 VDC 980,000 BTU
 Approx. 12 min.

GS1200
 3784 L (1000 Gal)
 757 L (200 Gal)
 Myers 12C-20
 Hardi Rotary Pump 363
 76-114 L (20-30 GPM) / 150 psi
 76 L (20 GPM) / 50 PSI
 12 VDC 980,000 BTU
 Approx. 20 min.

Chassis:
 Drive System
 Engine
 Fuel
 Maximum Speed
 Max De-Icing Speed
 Aerial Device:
 Max Working Height

Hydrostatic/Dynamic Braking
 Perkins Diesel
 Diesel 189 L (50 Gal)
 32 km/hr (20 mph)
 5 km/hr (3 mph)
 Articulating Boom
 9.8 m (32 ft)

Hydrostatic/Dynamic Braking
 Perkins Diesel
 Diesel 189 L (50 Gal)
 32 km/hr (20 mph)
 5 km/hr (3 mph)
 Articulating Boom
 10.5 m (34 ft 6 in)

Dimensions:
 Length
 Width
 Wheelbase
 Height (Boom Retracted)
 GVW Empty Tanks
 GVW Full Tanks

7.1 m (23 ft 4 in)
 2.3 m (7 ft 8 in)
 2.8 m (9 ft 3 in)
 2.9 m (9 ft 7 in)
 4355 Kg. (9,600 Lbs.)
 7167 Kg. (15,800 Lbs.) Cal

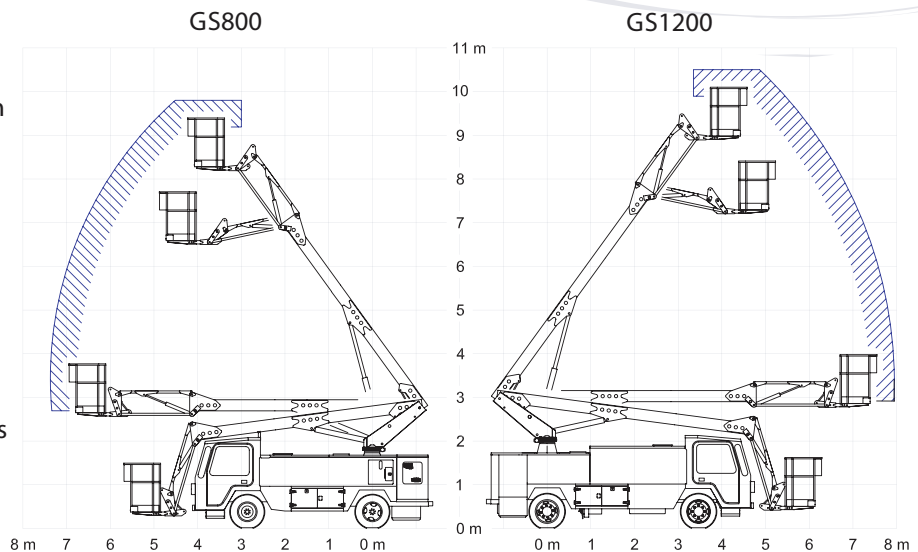
7.7 m (25 ft. 4 in)
 2.3 m (7 ft. 8 in)
 3.4 m (11 ft 3 in)
 3.1 m (10 ft 3 in)
 6124 Kg. (13,500 Lbs.)
 11,249 Kg. (24,800 Lbs.) Cal

Standard Safety Features:

- Emergency stops in cab and basket
- Emergency hydraulic pump control in basket and ground control stations
- Boom control in basket and ground control station
- High speed cutout when boom is raised
- Driver/Passenger seat belts

Optional Equipment:

- Cummins / Caterpillar Diesel
- Hardi 363 (Type I Option)
- Remote External Tank Level Indicators
- In-Cab Flow Meters
- Type IV Suction Fill System
- Fire Extinguisher mounted on unit
- Full body safety harnesses
- Type II De-ice package
- CE Certification



www.gssonline.com

Ground Support Specialist llc

2205 Cole Rd.
 Horn Lake MS 38637
 USA
 Ph. 662-342-1412
 Fax 662-342-0728
 rudy@gssonline.com